



**Features**

- DC-18 GHz operation
- Excellent VSWR, 1.2:1 max.
- Stainless steel
- RoHS compliant

**Overview**

Impedance 50 Ohms  
Frequency range DC-18.0 GHz

**Configuration**

Connector 1 SMA Female  
Connector 1 specification MIL-STD-348

Connector 2 SMA Female  
Connector 2 specification MIL-STD-348

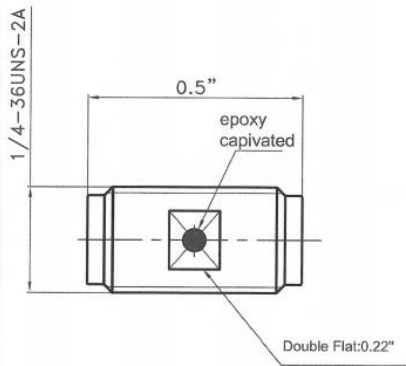
Body style Straight  
Adapter design High performance

Electrical Specifications @ +25°C		Unit
Frequency range	DC-18.0	GHz
Maximum VSWR	1.20	: 1

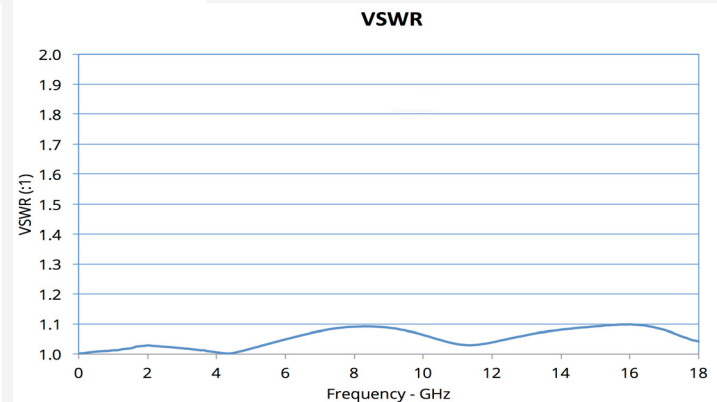
Typical Performance @+25°C	DC-2 GHz	2-4 GHz	4-6 GHz	6-10 GHz	10-18 GHz
VSWR (S11) (:1)	1.03	1.03	1.05	1.09	1.10

Mechanical Specifications	Connector 1	Connector 2
Temperature range	-65 to +125° C	
Inner conductor material/finish	Beryllium Copper/Gold	Beryllium Copper/Gold
Connector body material/finish	Stainless Steel/Passivated	Stainless Steel/Passivated
Hex/Wrench flat size (in.)	0.22 in. flat	N/A
Torque	7-10 in. lbs.	7-10 in. lbs.
Dielectric type	PTFE	PTFE
Mating cycles (typical)	500 cycles	500 cycles
Weight	0.101, [2.86] oz. [gms]	
Length	0.500, [12.7] in. [mm]	
Width	0.247, [6.27] in. [mm]	

**Outline drawing**



**Typ. Performance**



This 1212-33-50-003 50 ohm SMA Female to SMA Female adapter is an in-series coaxial adapter product. This 1212-33-50-003 50 ohm SMA Female to SMA Female adapter is precision engineered to strict industry specifications. This 1212-33-50-003 50 ohm SMA Female to SMA Female adapter has broadband operation to 18.0 GHz. The 1212-33-50-003 50 ohm SMA Female to SMA Female adapter has a straight body in a high performance design. evissap offers its eP high performance adapters in a variety of connector interfaces and connector configurations. If you cannot find the exact eP high performance adapters you require, please submit a request along with your requirement information.

evissap reserves the right to change specifications, prices and any other information at any time without prior notice.