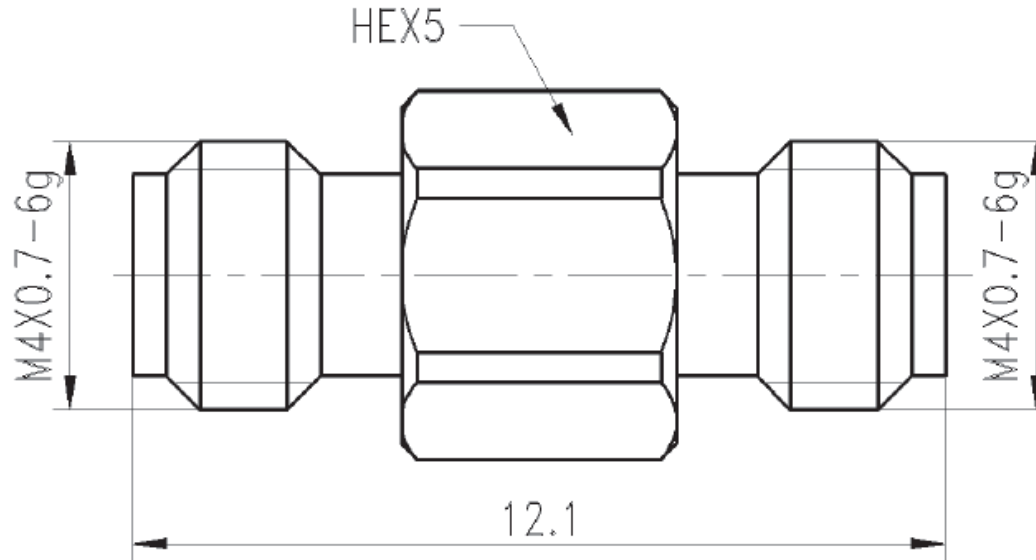


1.0mm Female




1.0mm Female

Notes:

- Frequency range: DC – 110 GHz
- Impedance: 50 Ohms
- Insulation resistance: >5000 Mega Ohms
- Breakdown voltage: 500 Volts
- VSWR = 1.40:1 @ 110 GHz
- IL < 0.06 * sqrt (Frequency in GHz) dB
- Center contact = Gold Plated Beryllium Copper
- Insulator = PEI
- Connector body = Passivated Stainless Steel
- Operating temperature = -55°C – 85°C

Contact us:
E-mail: sales@evissap.com

All DIMENSIONS ARE IN MM UNLESS OTHERWISE SPECIFIED	SIZE A	SCALE NO	
	REV. A	SHEET 1/1	
CAGE CODE: 4KGK3	ePCN-J2300		Title: 1.0mm Female to 1.0mm Female Precision RF Adapter