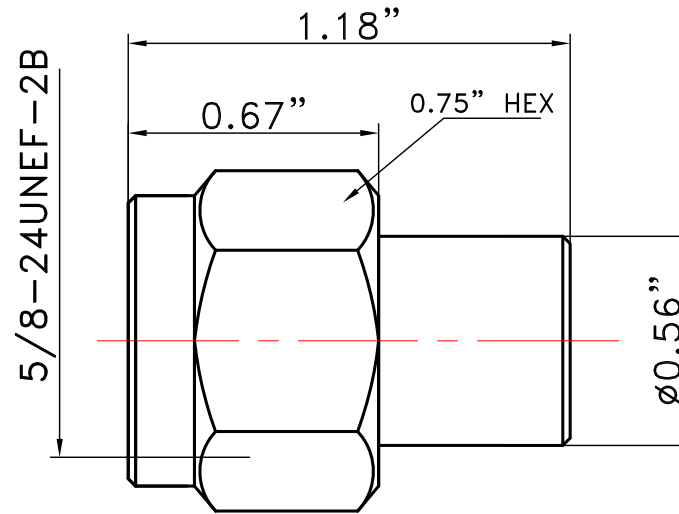



Electrical Performance:

- 1) Frequency Range: DC -18 GHz
- 2) RF Power nominal: 2 Watt at 25 °C
- 3) Return loss max: 15 dB

MATERIALS		
	Materials	Finish
Body	Brass	Tri Metal Alloy
Dielectric	PTFE	None
Center Contact	Brass	Au over Ni



Note:
RoHS compliant? YES

All dimension are in INCH unless otherwise specified		SIZE A	SCALE NO	
DRAWING BY: P. Xie	DATE: 11/4/2011	REV. -	SHEET 1/1	
CHECKED BY: W. Lu	DATE: 11/4/2011	PART NO. T2-231-34-50-002		<p>N male Termination</p>
APPROVED BY: Z. Jiang	DATE: 11/4/2011			