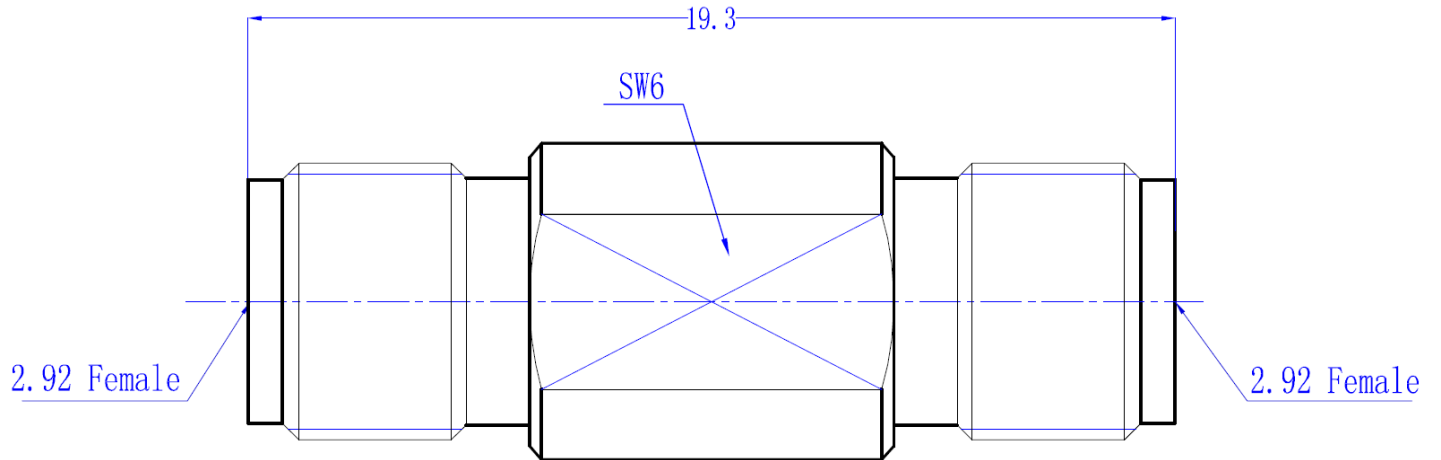



**Description:**

- Frequency range: DC – 40 GHz
- VSWR max: 1.20 : 1
- Insertion loss max:0.37 dB
- Insulation resistance min: 5000MΩ
- Inner conductor: Au plated Beryllium Copper
- Outer conductor: PASS stainless
- Insulator: PEI
- Operating Temperature: -55 to +85 °C



|  |                         |              |  |
|--|-------------------------|--------------|--|
| All DIMENSIONS ARE IN MM<br>UNLESS OTHERWISE SPECIFIED | SIZE<br>A               | SCALE<br>NO  | <br>RF Interconnect Solutions<br>San Jose, CA 95131<br>Tel: 408-943-8266, E-mail: <a href="mailto:sales@evissap.com">sales@evissap.com</a><br>Web: <a href="http://www.evissap.com">www.evissap.com</a> |
|  | REV.<br>A               | SHEET<br>1/1 |  |
| CAGE CODE: 4K GK3                                      | Title:<br>G2G2-133-001H |              | Title:<br>Test Grade 2.92 female to 2.92 female adapter  |