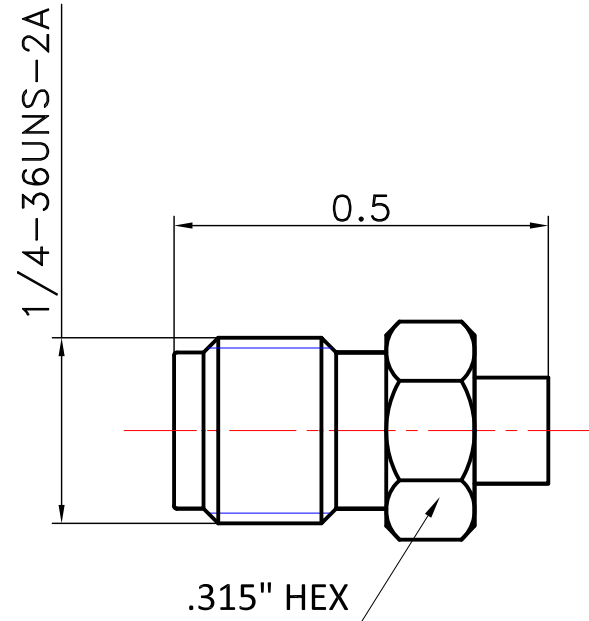


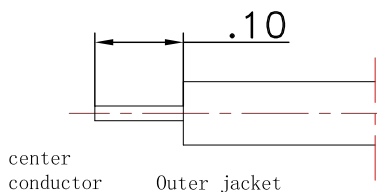
Descriptions:


- Frequency range: DC – 18 GHz
- VSWR typically $\leq 1.35 : 1$ @ 18 GHz
- Connector body: Gold plated brass
- Center conductor: Gold plated beryllium copper
- Insulation: PTFE



Assembly instruction:

- Strip the cable as following drawing A=0.1"
- Solder the connector center conductor on the cable center conductor
- solder the cable jacket to the connector body
- Install the connector insulator into connector body



ALL DIMENSIONS ARE IN INCHES UNLESS OTHERWISE SPECIFIED	SIZE A	SCALE NO	 RF Interconnect Solutions San Jose, CA 95131 Tel: 408-943-8266, E-mail: sales@evissap.com Web: www.evissap.com
	REV. A	SHEET 1/1	
CAGE CODE : 4KGK3	Title: 123-21-21-002	Title: SMA female for RG405 cable	